

# VEHICLE FIN ANTENNA

Product Order Code:  
HTL-VEHFIN



## PRODUCT: FIN GSM LTE 4G/GPS/WI-FI

LTE (EU & NORTH AMERICA, CELLULAR (2G, 3G), GNSS (GLOBAL), WIFI

### Technical Data

- RoHS 2002/95/EC (EU compliant)
- PCB element is embedded within rugged ABS housing
- M14X1 through bolt for secure mounting solution
- Request samples for test & evaluation via [office@hubit.co.uk](mailto:office@hubit.co.uk)

## TECHNICAL DATA

DIMENSIONS	97mm x 58.2mm x 49mm (64mm inc bolt)
WEIGHT	206g
MOUNTING ARRANGEMENT	M14X1 through bolt
TEMPERATURE RANGE	-40oc to +85oc
PROTECTION CLASS	IP67

### CELLULAR LTE / 2G / 3G

FREQUENCY RANGE	LTE/4G - 800MHz - 2600MHz
AVERAGE GAIN	2.2dBi
POWER HANDLING	50w
IMPEDANCE	50 Ohm
POLARISATION	Vertical

### WIFI

FREQUENCY RANGE	WIFI- 2400MHz - 2484MHz
MAXIMUM GAIN	3.1dBi
AVERAGE GAIN	2.14dBi

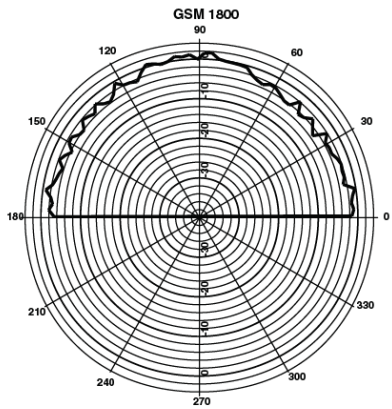
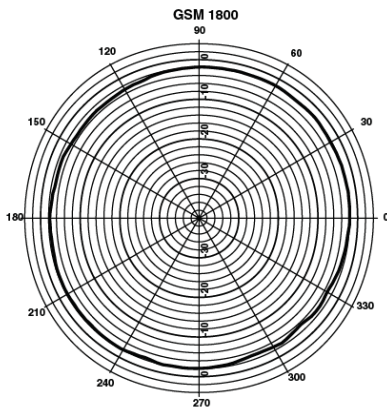
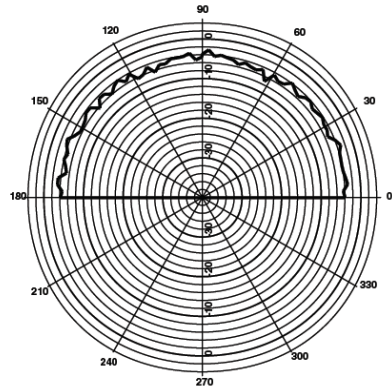
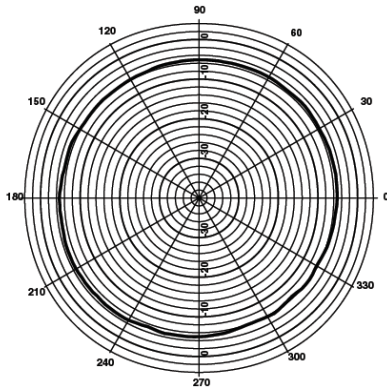
### GPS FUNCTION

LNA GAIN	26dB @ 3v / 27dB @ 5v
LNA VOLTAGE	2.7v - 5.5v
GAIN	0dB
POWER HANDLING	138mW
IMPEDANCE	50 Ohm

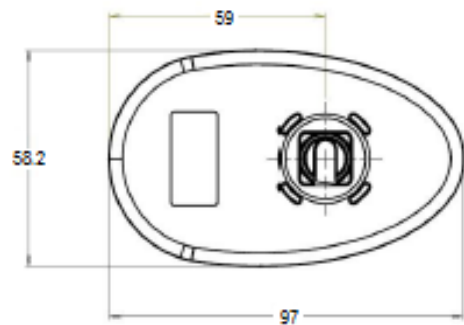
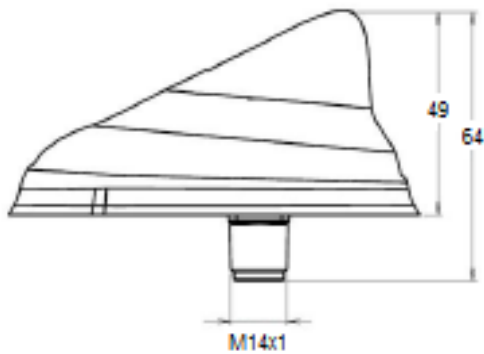
### PHYSICAL CHARACTERISTICS

HUMIDITY	100% @ 25oc
CONNECTOR	According to customer specification
CABLE LENGTH	According to customer specification
CABLE TYPE	RG174 Black

## RADIATING PATTERNS

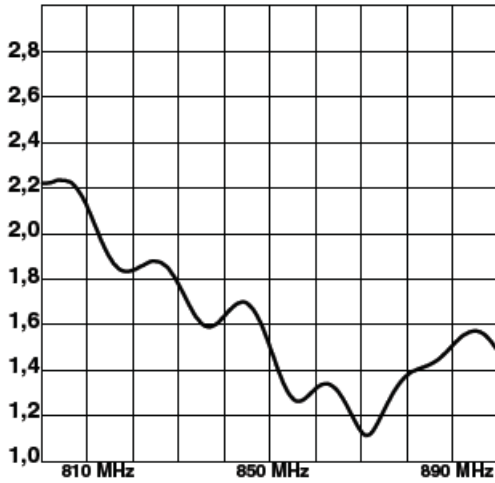


## CAD DRAWING

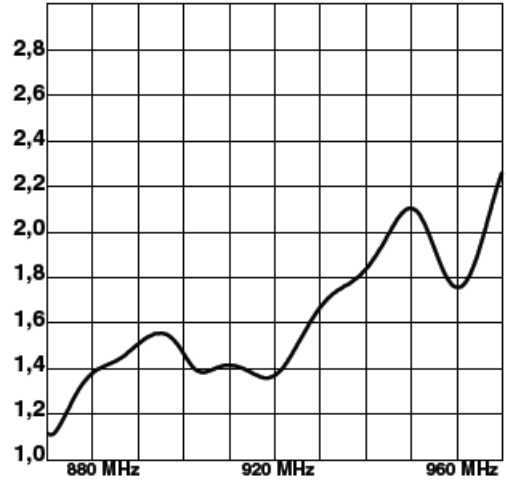


TYPICAL VSWR

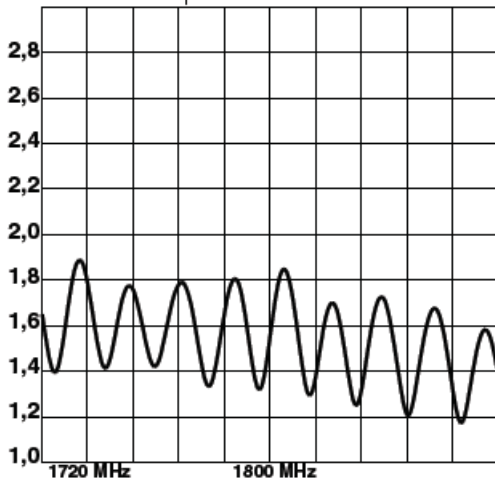
AMPS



GSM 900



GSM 1800



2400MHz / 2600MHz

