

# WIRELESS SURFACE-MOUNTED PARKING SENSOR



## PRODUCT: R719A

### Description

is a smart parking vehicle detection sensor. It can be used to detect the presence or absence of parking vehicles in the parking space. It uses the SX1276 wireless communication module and adds vehicle status information to the gateway and displays the collected data in the gateway.

### ELECTRIC

INPUT POWER	2 x 3.6V ER18505 (3.6V 4000mAh/section ) in parallel
BATTERY LIFE TIME	5 years (condition: ambient temperature 25 °C, report every 60 minutes , txpower = 20 dBm, LoRa spreading factor SF =
STANDBY CURRENT	80 Ua
WAKEUP CURRENT	6.3mA @3.3V
RECEIVING CURRENT (MAX)	11mA @3.3V
TRANSMITTING CURRENT (MAX)	120mA 3.3 V
BATTERY MEASUREMENT ACCURACY	±0.1V

### GEOMAGNETIC SENSOR

MODEL	LIS2MDL
COMMUNICATION METHOD	I2 C communication
MAGNETIC FIELD DETECTION RANGE	±50 gauss

### RADAR SENSOR

MODEL	Acconeer A111 ( PCR Radar Sensor
WORKING FREQUENCY	60GHZ
A111 SENSOR DETECTION RANGE	6cm-2m

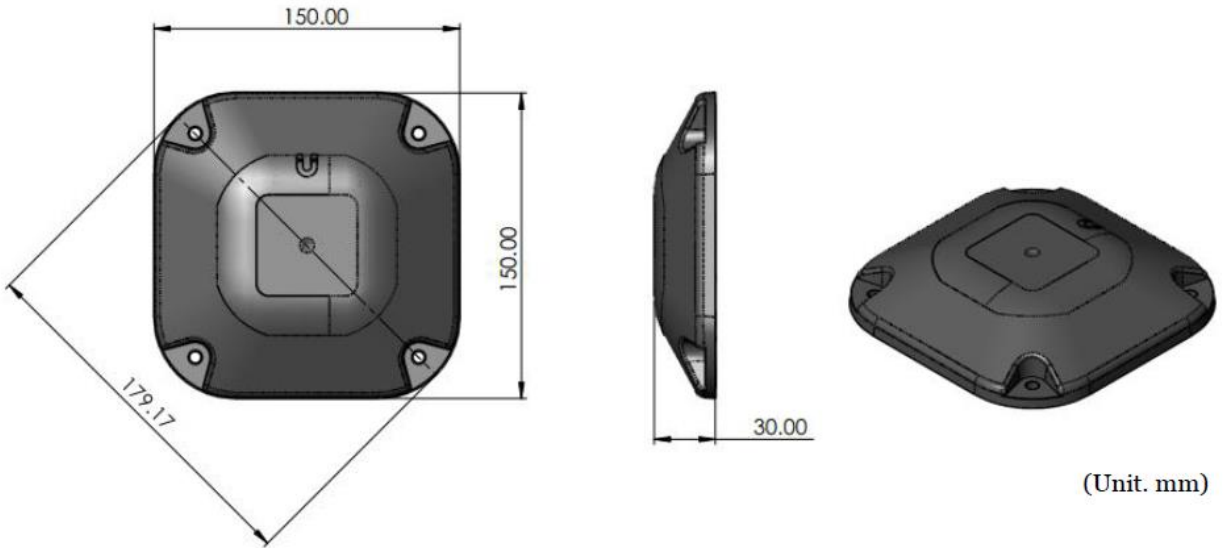
## FREQUENCY

TX POWER	US915 20dbm
	AS923 16dbm
	AU915 20dbm
	CN470 19.15dbm
	EU868 16dbm
	KR920 14dbm
	IN865 20dbm
RX SENSITIVITY	- 136dBm LoRa Spreading Factor=12 , Bit Rate=293bps) - 121dBm (FSK, Frequency deviation=5kHz, Bit Rate=1.2kbps)
ANTENNA TYPE	Build In antenna
COMMUNICATION RANGE	Up to 10 km , the actual transmission distance depends on the environment
DATA TRANSFER RATE	0.3kbps ~ 50kbps (LoRa) 1.2kbps ~ 300kbps (FSK)
SPREAD TECHNIQUE	LoRa/F SK
AVAILABLE FREQUENCY	EU863 870,US902 928,AU915 928,KR920 923, AS923 1,AS923 2,AS923 3,IN865 867,CN470 510 (Note: optional, to be done in the factory configuration)

## PHYSICAL

DIMENSION	150*150*30mm
WEIGHT	about 353g
OPERATING TEMPERATURE RANGE	-20 °C 7 5°C
ENVIRONMENT HUMIDITY RANGE	<90% RH (No

## Dimensions



(Unit. mm)