

## TECHNICAL SPECIFICATIONS

ADT-280-STRETCH

# 28" Ultra Wide Stretch Display



### OVERVIEW

Advanced Display Technology is a bespoke display manufacturer working to deliver high quality, reliable, cost competitive products widely used across a range of market segments such as Retail, DOOH, QSR and Transport.

Our displays include PCAP touch screens with optional built in PC's, open frame designs and our larger range from 32" upwards to 65" offer slot-in OPS functionality.

Working with integrators to design products that fit practically into many environments ensure our displays are fit for purpose, supporting 24/7 use with a UK based warranty.

We are committed to delivering and designing market leading displays and use highly accredited manufacturing facilities with the minimum of the following accreditation's ISO9001, CE, FCC and ROHS.

### KEY FEATURES

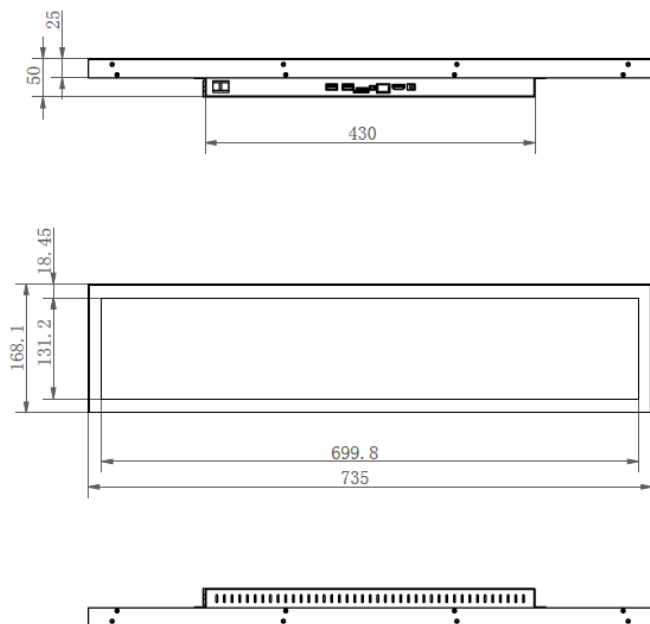
- 28" stretched LCD monitor
- High resolution
- Monitor version with HDMI
- Built in Android version
- Fanless design

## 28" ULTRA WIDE STRETCH DISPLAY

Panel	
<b>Active Display Area</b>	699 x 131 mm
<b>Backlight</b>	Direct LED
<b>Resolution</b>	1920 x 360
<b>Brightness</b>	700 cd/m <sup>2</sup>
<b>Contrast Ratio</b>	1200 : 1
<b>Viewing Angle</b>	89/89/89/89
<b>Display Colours</b>	16.7 M

HDMI Monitor Version - ADT-280-STRETCH-HDMI	
<b>Video Input</b>	2 x HDMI
<b>Audio Output</b>	3.5mm audio jack
<b>Speakers</b>	2 x 3 watt
<b>USB</b>	1 x USB2.0
<b>External Controls</b>	Remote control

### Dimensions (mm)



Mechanical Structure	
<b>Dimensions</b>	735 mm(Width) x 168 mm (Height) x 50 mm (Depth)
<b>Weight</b>	4 kg
<b>Protective Glass</b>	Tempered Glass
<b>Finish</b>	Zinc power coating + fine grain powder coating
<b>Operating Temperature</b>	Operating : 0°C to +40°C
<b>Operating Humidity</b>	10% ~ 85%
<b>Power Input</b>	100 – 260 VAC, 50-60Hz
<b>Power Consumption</b>	36 watts

Built-In Android Version - ADT-280-STRETCH-ANDR		
<b>Android OS</b>	Android 9 – Quad Core CPU	
<b>DRAM</b>	2GB RAM	
<b>Flash</b>	NAND Flash 8GB / 16GB	
<b>I/O</b>	1 x MicroSD Card 2 x USB 2.0	1 x HDMI output 1 x 3.5mm audio jack
<b>WiFi</b>	802.11 b/g/n	
<b>Ethernet</b>	10M/100M Ethernet	
<b>Bluetooth</b>	Yes (optional)	

