

TECHNICAL SPECIFICATIONS

ADT-290-STRETCH

29" Ultra Wide Stretch Display



OVERVIEW

Advanced Display Technology is a bespoke display manufacturer working to deliver high quality, reliable, cost competitive products widely used across a range of market segments such as Retail, DOOH, QSR and Transport.

Our displays include PCAP touch screens with optional built in PC's, open frame designs and our larger range from 32" upwards to 65" offer slot-in OPS functionality.

Working with integrators to design products that fit practically into many environments ensure our displays are fit for purpose, supporting 24/7 use with a UK based warranty.

We are committed to delivering and designing market leading displays and use highly accredited manufacturing facilities with the minimum of the following accreditation's ISO9001, CE, FCC and ROHS.

KEY FEATURES

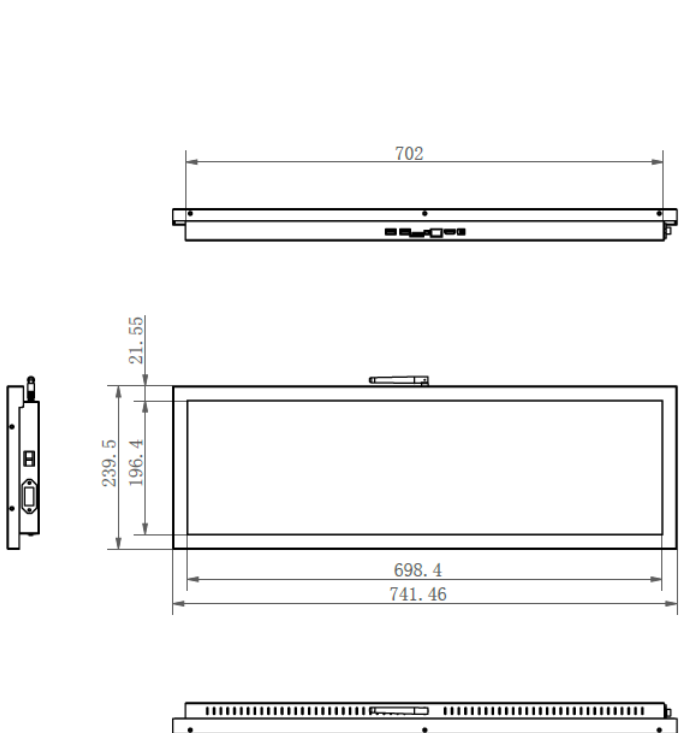
- 29" stretched LCD monitor
- High resolution
- Monitor version with HDMI
- Built in Android version
- Fanless design

29" ULTRA WIDE STRETCH DISPLAY

Panel	
Active Display Area	698 x 196 mm
Backlight	Direct LED
Resolution	1920 x 540
Brightness	500 cd/m2
Contrast Ratio	4500 : 1
Viewing Angle	89/89/89/89
Display Colours	16.7 M

HDMI Monitor Version - ADT-290-STRETCH-HDMI	
Video Input	2 x HDMI
Audio Output	3.5mm audio jack
Speakers	2 x 3 watt
USB	1 x USB2.0
External Controls	Remote control

Dimensions (mm)



Mechanical Structure	
Dimensions	741 mm(Width) x 239 mm (Height) x 46 mm (Depth)
Weight	9 kg
Protective Glass	Tempered Glass
Finish	Zinc power coating + fine grain powder coating
Operating Temperature	Operating : 0°C to +40°C
Operating Humidity	10% ~ 85%
Power Input	100 – 260 VAC, 50-60Hz
Power Consumption	50 watts

Built-In Android Version - ADT-290-STRETCH-ANDR		
Android OS	Android 9 – Quad Core CPU	
DRAM	2GB RAM	
Flash	NAND Flash 8GB / 16GB	
I/O	1 x MicroSD Card 2 x USB 2.0	1 x HDMI output 1 x 3.5mm audio jack
WiFi	802.11 b/g/n	
Ethernet	10M/100M Ethernet	
Bluetooth	Yes (optional)	

