

TECHNICAL SPECIFICATIONS

ADT-AAIO270

27" Android Digital Display



OVERVIEW

Advanced Display Technology is a bespoke display manufacturer working to deliver high quality, reliable, cost competitive products widely used across a range of market segments such as Retail, DOOH, QSR and Transport.

Our displays include PCAP touch screens with optional built in PC's, open frame designs and our larger range from 32" upwards to 65" offer slot-in OPS functionality.

Working with integrators to design products that fit practically into many environments ensure our displays are fit for purpose, supporting 24/7 use with a UK based warranty.

We are committed to delivering and designing market leading displays and use highly accredited manufacturing facilities with the minimum of the following accreditation's ISO9001, CE, FCC and ROHS.

KEY FEATURES

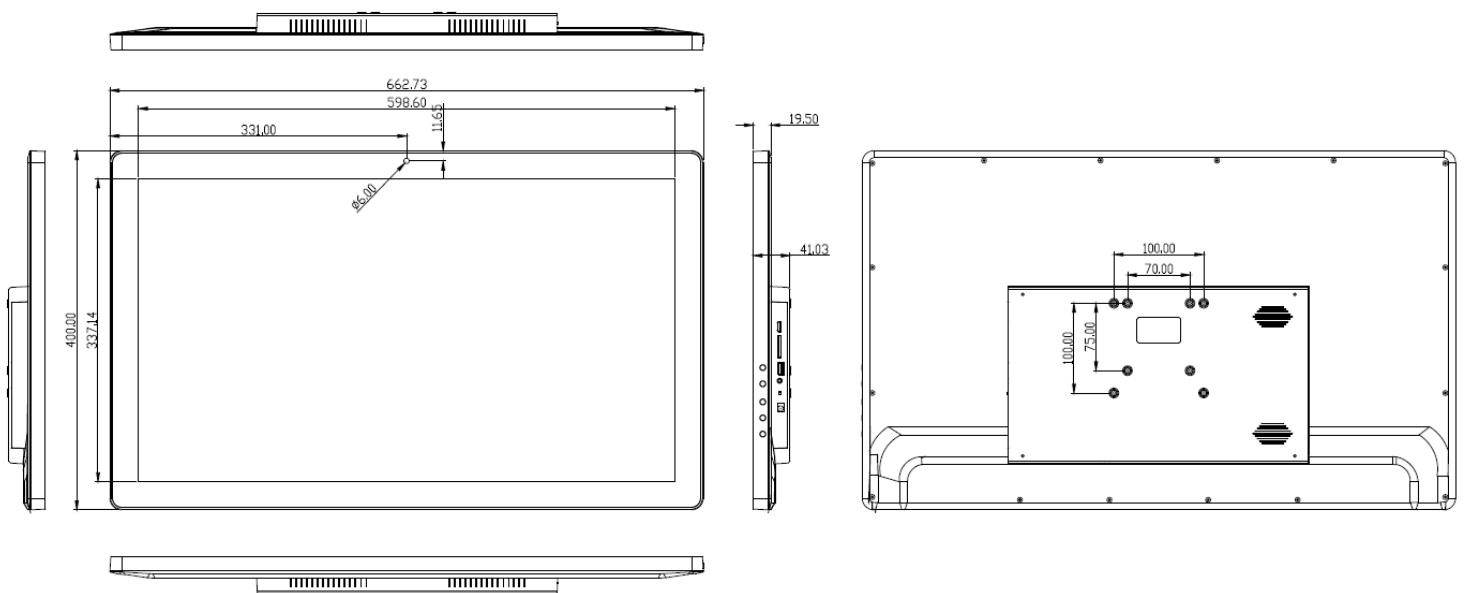
- 27" Android digital display
- 10-point touch
- Built in microphone & camera
- WiFi and Bluetooth built in

27" ANDROID DIGITAL DISPLAY

Panel	
Active Display Area	596 x 336 mm
Backlight	Direct LED
Resolution	1920 x 1080
Brightness	350 cd/m2
Contrast Ratio	1000 : 1
Viewing Angle	89/89/89/89
Display Colours	16.7 M

Inputs & Outputs	
Video Input	None – built in
Audio Output	3.5mm audio jack
Speakers	2 x 3 watt
USB	3 x USB2.0
Others	1 x SD Card 1 x RJ45 Ethernet 1 x MiniUSB
Camera & Microphone	2MP Front facing camera + microphone

Dimensions (mm)



Mechanical Structure	
Dimensions	660 mm(Width) x 398mm (Height) x 45 mm (Depth)
Weight	6.22 kg
Finish	Plastic casing with strengthen display
Operating Temperature	Operating : 0°C to +40°C
Operating Humidity	10% ~ 85%
Power Input	12vDC – 2amp

Android & CPU	
Android OS	Android 8.1
Processor	Rockchip RK3288 1.8MHz
DRAM	2GB RAM
Storage	8GB
Video Codecs	MPEG-1,MPEG-2,MPEG-4,H.263,H.264,VC1,RV etc. Support up to 1080p
WiFi	802.11 b/g/n
Ethernet	10M/100M Ethernet
Bluetooth	Yes