

TECHNICAL SPECIFICATIONS

ADT – ODST550

55" Outdoor Double Sided Totem

OVERVIEW

Advanced Display Technology is a bespoke display manufacturer working to deliver high quality, reliable, cost competitive products widely used across a range of market segments such as Retail, DOOH, QSR and Transport.

Our displays include PCAP touch screens with optional built in PC's, open frame designs and our larger range from 32" upwards to 65" offer slot-in OPS functionality.

Working with integrators to design products that fit practically into many environments ensure our displays are fit for purpose, supporting 24/7 use with a UK based warranty.

We are committed to delivering and designing market leading displays and use highly accredited manufacturing facilities with the minimum of the following accreditation's ISO9001, CE, FCC and ROHS.

KEY FEATURES

- IP66 Full Outdoor Rated Enclosure
- IK08 Tempered Glass
- High brightness at 2500 cd/m² ideal for outdoor solutions
- Available with embedded PC, Android & 4G connectivity upon request

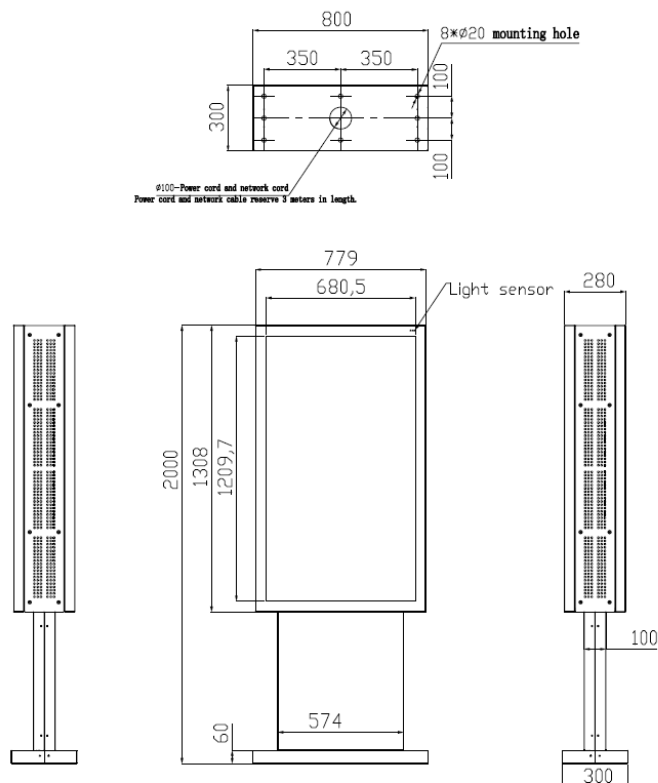


55" OUTDOOR DOUBLE SIDED TOTEM

Panel	
Active Display Area	1210 x 680mm per screen
Backlight	Direct LED
Resolution	1920 x 1080
Brightness	2500 cd/m ²
Contrast Ratio	1100:1
Viewing Angle	178/178
Display Colours	16.7 M
Brightness Control	Automatic ambient light sensor

HDMI Version	
Video Input	1 x HDMI
Audio Output	3.5mm audio jack
USB	None
External Controls	Remote control
Others	VGA, RS232, RJ45

Dimension Drawing (mm)



Mechanical Structure	
Dimensions	1308 x 779 x 98mm per screen (totem size TBC)
Weight	76.5g per screen (totem weight TBC)
Protective Glass	Tempered Glass, back painted pantone black C – IK08 rated
Finish	Galvanized steel + zinc powder coating + ne grain powder triple coating - Black (Ral 9005)
Operating Temperature	Operating : -20°C to +50°C (Full Sunlight Conditions)
Operating Humidity	5% ~ 98%
Power Consumption	210 watts per screen
IP Class	IP66 (Full Outdoor)
Glass	Tempered Glass IK08, Back Painted Pantone Black C

Android Version	
Android OS	Android OS (4.4 – 8) - Rockchip/Allwin
DRAM	1 / 2 / 4 GB options available
Flash	8 / 16 / 32 / 64 / 128 GB options available
Touchscreen	PCAP Multi-touch (optional)
WiFi	802.11b/g/n
USB	1 x USB 2.0
Ethernet	100M/1000M

